

BUILD YOUR OWN
Flying Spaghetti
Monster

From LEGO and Plastic Tubing

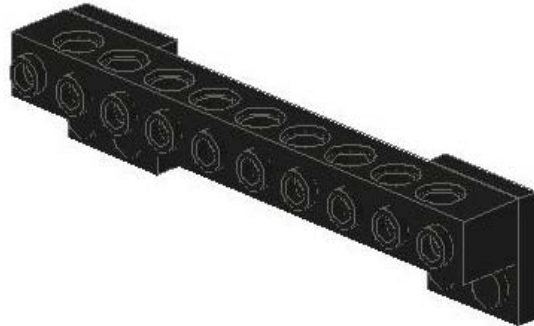


(An attempt at idolatry by Chris Doyle of ReasonablyClever.com)

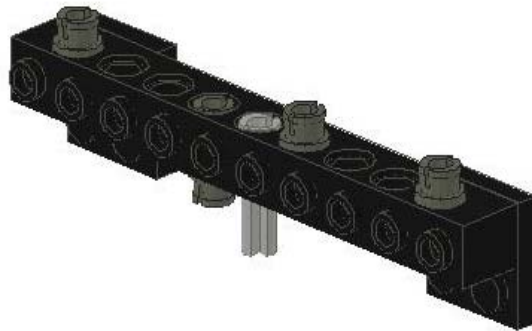
Parts you'll need:

2 Trans-Light-Green	Antenna 4H
2 Yellow	Brick 1 x 1 Round with Hollow Stud
4 Black	Brick 1 x 1 with Headlight
1 Black	Cone 4 x 4 x 2
2 White	Dish 2 x 2 Inverted
2 Black	Plate 1 x 1 Round
2 Black	Plate 2 x 2
1 Black	Plate 6 x 6
1 Black	Technic Axle 12
1 Light-Gray	Technic Axle Joiner Offset
1 Light-Gray	Technic Axle Pin
1 Black	Technic Brick 1 x 10 with Holes
2 Blue	Technic Pin 1/2
4 Dark-Gray	Technic Pin 3/4
2 White	Tile 1 x 1 with Clip
8 Blue-Gray	Pneumatic T-Joins
2 Red-Brown	Rock/Boulder Bottom
2 Red-Brown	Rock/Boulder Top
10 Feet of Tygon F-4040A	yellow tubing.

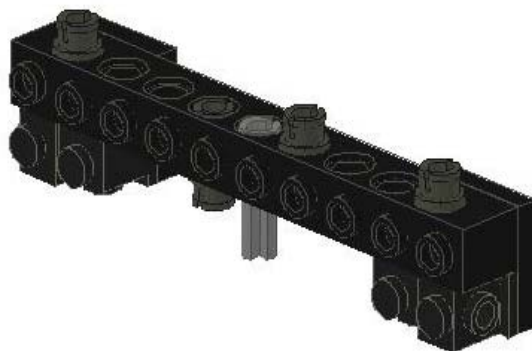
And now, to begin. First, take the 1x10 Technic beam and the two 2x2 plates and assemble like this:



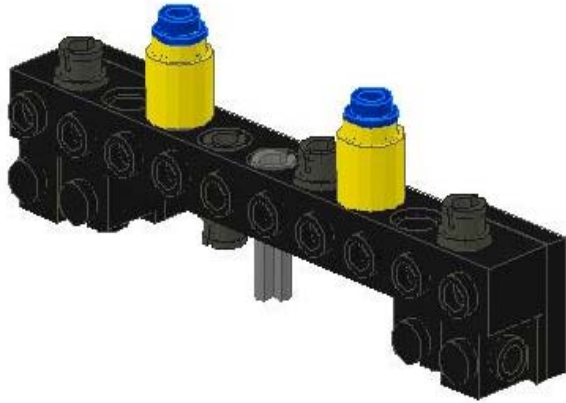
Next, take the five dark grey Technic pins and the one light grey one and insert into the 1x10 brick as shown here:



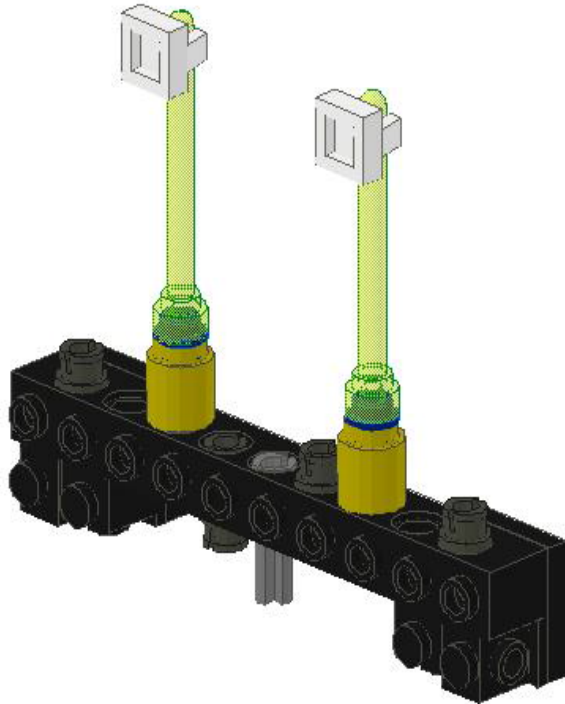
Add the four 1x1 headlight bricks. Note the orientation of each one!



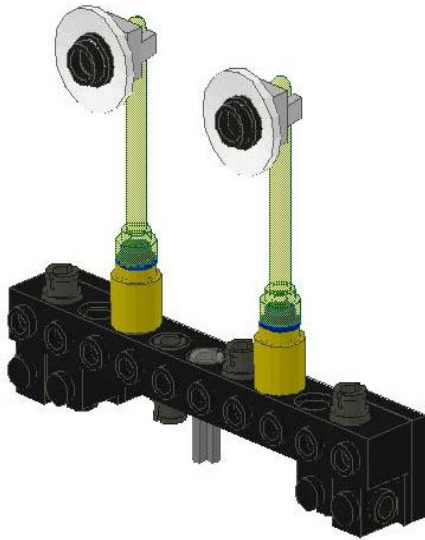
Now add the two 1x1 Round yellow bricks and the two blue Technic pins.



The two antennae and white clips now create the beginnings of the FSM's eyestalks.



Two radar dishes and the 1x1 round plates complete the look.



The stand should be assembled next – you might not want to connect it until after you’ve added the “noodles”, though.



The eight T-Joints are placed into the open Technic pins and the headlight bricks, and the two “meatballs” are assembled and attached to the front as seen here:



The next step is where you can really let your creativity shine – you’ll be using the yellow tubing to create the “Noodles” for the FSM.

I recommend cutting 12 small tubes (with lengths ranging from 4-6 inches) and set them aside. Then cut the remaining tubing in half.

Take one of the long strips of tubing and attach one end to the T-joint in the top/center. Wrap the tubing around and around the model (Figure eight’s around the two meatballs is a good place to start) and finally attach the free end to the T-joint on the center/bottom of the model. Take the other long length of tubing and repeat the process, attaching to the other free join on the the T-joint on the top and bottom.

Once you've done that the main "body" of the FSM should be complete. Now take those 12 short "noodles" and attach them to the six T-joints on the outer edges. Be sure to weave the shorter lengths through the main body to create some real "Plate of Spaghetti" overlapping!

The end result should look something like this:



If it doesn't....well, I'd try re-wrapping those two longer noodles again.

Proudly display your Flying Spaghetti Monster on your desk, rear-window of your car, or as a very uncomfortable corsage!

If you have questions about this project, please feel free to email me at Bat_Hero@hotmail.com – I'll do my best to answer your questions without too much sarcasm.